

### Item Specification & Quantity

SI No.	ITEM CODE	DESCRIPTION	UOM	QTY
1	JA2120481	Body Gasket Set V543/V595 For Control Valve 12PV61/3. Valve type: VSN 10", 300#, linear, SS316ST. Detailed Specifications and Drawing is attached at Annexure -1 & Annexure - 2 below	ST	1
2	JA2120482	GLAND PACKING Set For Control Valve 12PV61/3 Model: VSN 10", 300#. Detailed Specifications and Drawing is attached at Annexure -1 & Annexure - 2 below	ST	1
3	JA2120483	Complete Plug with stem Assembly with Pressure Seal for Control valve 12PV61/3. Valve type: VSN 10", 300#, Linear, SS316ST. Detailed Specifications and Drawing is attached at Annexure -1 & Annexure - 2 below	ST	1
4	JA2120484	DIAPHRAGM AND SEAL KIT FOR CONTROL VALVE 12PV61/3. Detailed Specifications and Drawing is attached at Annexure -1 & Annexure - 2 below	ST	1
5	JA2120487	Complete Cage for Control valve 12PV61/3. Valve: VSN 10", 300#, Linear, SS316ST. Detailed Specifications and Drawing is attached at Annexure -1 & Annexure - 2 below	ST	1

### Additional Terms & Conditions (ATC)

- I. The subject item is **proprietary** in nature and hence, only OEM M/S INSTRUMENTATION LTD., PALAKKAD and its authorized seller/distributor/dealer/channel partner is eligible to participate in this bid.

- II. Authorized seller/distributor/dealer/channel partner shall have to submit valid authorization letter from OEM on OEM's letterhead failing which offer is liable to be rejected.
- III. The bidder shall confirm that they have quoted for same make or model as mentioned in the bid. If any bidder submits their offer with other make/specification then their offer shall not be evaluated and considered as technically rejected.
- IV. Guarantee/Warranty: The offered material shall be guaranteed against any manufacturing defect and poor workmanship for a period of 18 months from the date of supply or 12 months from the date of commissioning, whichever is earlier. In case the material fails during guarantee period due to defective material or bad workmanship, you will have to replace/rectify the same free of cost. The guarantee certificate should indicate our order number and your invoice number. Guarantee/Warranty Certificate shall be submitted along with dispatch documents.

**1. Specifications for Body gasket Set for Control valve 12PV61/3**

- |                      |                |
|----------------------|----------------|
| 1. NFL Item Code     | : JA2120481    |
| 2. Qty               | : 01 Set       |
| 3. Valve Model       | : VSN          |
| 4. Valve Type        | : Globe        |
| 5. Valve size/Rating | : 10"/300 # RF |
| 6. Port size         | : 8"           |
| 7. Gasket Type       | : V543/V595    |

**2. Specifications for Gland Packing Set for Control valve 12PV61/3**

- |                      |                |
|----------------------|----------------|
| 1. NFL Item Code     | : JA2120482    |
| 2. Qty               | : 01 Set       |
| 3. Valve Model       | : VSN          |
| 4. Valve Type        | : Globe        |
| 5. Valve size/Rating | : 10"/300 # RF |
| 6. Port size         | : 8"           |
| 7. Packing Type      | : V-TEF        |

**3. Specifications for Complete Plug with stem Assembly with pressure seals for control valve 12PV61/3**

- |                      |   |
|----------------------|---|
| 1. NFL Item Code     | : JA2120483                                 |
| 2. Qty               | : 01 Set                                    |
| 3. Valve Model       | : VSN                                       |
| 4. Valve Type        | : Globe                                     |
| 5. Valve size/Rating | : 10"/300 # RF                              |
| 6. Port size         | : 8"  |
| 7. Trim Material     | : SS 316 (Stellited)                        |
| 8. Characteristics   | : Linear                                    |
| 9. Pressure Seals    | : As per note :1 and attached Valve Drawing |

*Pambhoney*



#### **4. Specifications for Actuator Diaphragm with Actuator seal kit for Control valve 12PV61/3**

- |                      |                     |
|----------------------|---------------------|
| 1. NFL Item Code     | : JA2120484         |
| 2. Qty               | : 01 Set            |
| 3. Valve Model       | : VSN               |
| 4. Valve size/Rating | : 10"/300 # RF      |
| 5. Actuator Action   | : Air fail to Close |
| 6. Actuator Model    | : VA5R              |
| 7. Spring Range      | : 0.2 To 2.2 kg/cm2 |
| 8. Air Supply        | : 2.8 Kg/cm2        |

#### **5. Specifications for Complete Cage for Control Valve 12PV61/3**

- |                      |                      |
|----------------------|----------------------|
| 1. Item Code         | : JA2120487          |
| 2. Qty               | : 01 Set             |
| 3. Valve Model       | : VSN                |
| 4. Valve Type        | : Globe              |
| 5. Valve size/Rating | : 10"/300 # RF       |
| 6. Port size         | : 8"                 |
| 7. Trim Material     | : SS 316 (Stellited) |
| 8. Guide             | : Cage Low Noise     |

**Note:**

- 1) The above items are spares for control valve 32PV61/2 which was procured earlier wide PO Ref : PN/MM/1054/A/P/2524/ICB Dtd: 2/6/95, Order REGN No. 2010264/VN.
- 2) Party shall provide INTERCHANGEABILITY CERTIFICATE for all items supplied to be Interchangeable with the respective installed parts in our Plant.
- 3) Party shall submit GUARANTEE/WARRANTY CERTIFICATE against bad workmanship of material And/or Any Manufacturing defect, which shall be valid for a period of 18 months from the date of Supply or 12 months from the date of installation whichever is earlier.

*Pambhanga*





**GENERAL**

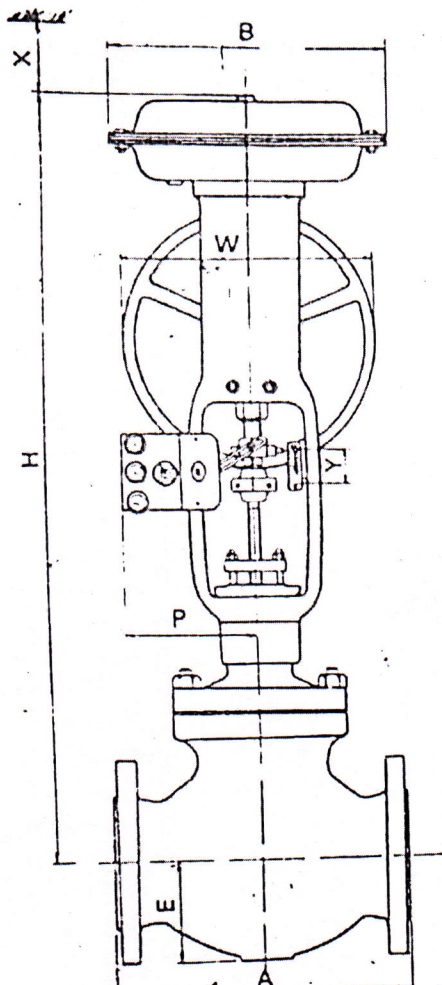
CLIENT/CONSULTANT	ME NFL / PDIL
PLANT	Vijapur Expansion Project
ENQUIRY	1053/1054/1/E/2524(-)1/18/19.10
QUOT. NO.	1LP/CDQ-94/1168/VN

P.O. NO.	P/N/1054/A/P/2524/1CB dtd 2/6/95
ORDER REGN. NO.	OR 2010264/VN

ITEM/TAG NO.	80/32-PV-61/2
QUANTITY	1 No.

<b>FLOW DATA</b>	
FLUID	Process Gas (G)
FLOW RATE	150000 Nm <sup>3</sup> /hr
TEMPERATURE	162/200 °C
INLET PRESSURE	29.8 kg/cm <sup>2</sup> g
PRESSURE OUT	2.0
ΔP SIZING	27.8
ΔP SHUT OFF	35
SCRMW	16.07
Line Size	12" Sch 30 / 24" STD
Cv CAL/Cvs	321.52 / 380

<b>COMMON DRAWINGS</b>		
DESCRIPTION	DRG. NO.	PAGE
END CONNECTIONS		
POSITIONER		

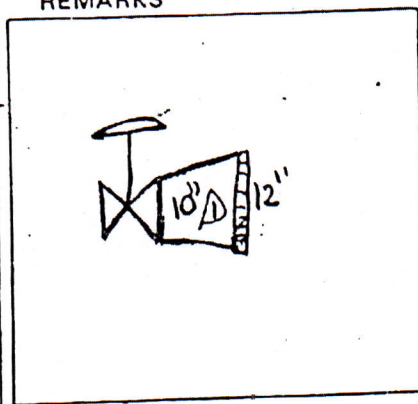


Dimension (mm) *Please refer sheet 80 @*

A	H	E	B	X	Y	W	P
708	1890	300	620	420	100	570	270

<b>VALVE SPECIFICATIONS</b>	
MODEL	VSN
TYPE	GLOBE
BODY SIZE	10"
PORT SIZE	8"
END CONNECTION	ANSI-300 RF
BODY MATERIAL	A216 WCB
TRIM MATERIAL	SS-316-Std
CHARACTERISTIC	Linear
PACKING	V-TEF
GASKETS	V-593/595
BONNET	PLAIN
LUB/ISO VALVE	No
GUIDE	CAGE LOW NOISE
ON AIR FAIL	CLOSE
ACTUATOR	VASR
SPRING RANGE	0.6 ~ 2.2 F
AIR SUPPLY	2.8 F

POSITIONER	MODEL	HTP
	INPUT	0.2 ~ 1.0
	BYPASS	NO / 3 MS
AIR SETTING	Yes	
AIR LOCK	---	
LIMIT SWITCH	---	
SOLENOID VALVE	---	
LEAKAGE	CLASS-IV	
IBR CERTIFICATE	---	
HAND WHEEL	Yes, Side	
TUBING	12mm, SS-304	
Noise level	78.5 dBA	
Expander & cartridge	Yes, 10" x 12" 12" cartridge	
UNIT PRICE	Rs.	
DELIVERY		



<b>REVISIONS</b>		
NO.	DATE	COMMENTS
1	10/10/95	As per comments

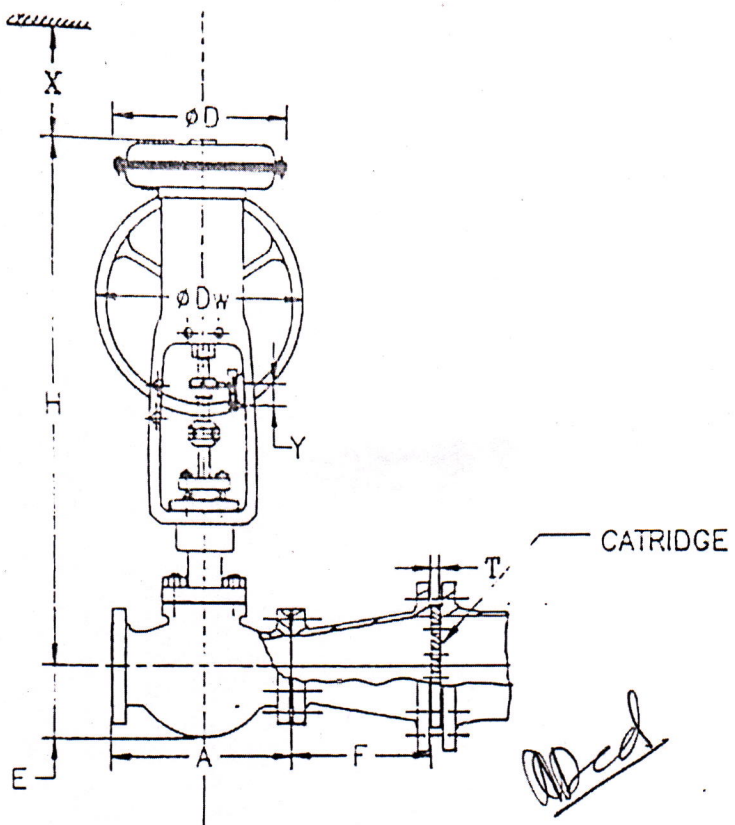
*Pambhary*





PALAKKAD AND MUST NOT BE COPIED FOR ANY MANUFACTURING PURPOSES WITHOUT THEIR CONSENT

DO NOT SCALE THE DRG. ANY DOUBT PLEASE ASK



Tag No :	A	E	H	D	X	Dw	Y	EX:Size	F	T
80/32-PV-61/2	708	300	1890	620	420	570	100	10X12	400	20

ALL DIMENSIONS ARE IN mm. UNLESS OTHERWISE SPECIFIED. OR NO:2010284/VN

REVISION				SIGN	DATE	APPD	SURFACE ROUGHNESS:		MATERIAL				
							CHAMFER:						
							RADIUS:		TOLERANCE				
									0.5-6	6-30	30-120	120-315	315-1000
									±0.1	±0.2	±0.3	±0.5	±0.8
DRAWN	Ranjit P							INSTRUMENTATION LTD.					
CHD.	R. Manikala							PALAKKAD					
CHD.								SCALE		REF. DRG.			
								NTS					
PTECH.								CONTROL VALVE					
APPD.								with					
								DIAPHRAGM					
								ACTUATOR					

*Pambhomen*

**Self-Certification Form: Make In India (Local Content)**

**(On Party/Company's Letter Head)**

Tender Ref. No.: .....

To  
M/s National Fertilizers Limited,  
Vijaipur-Guna (M.P)-473111

Sub: Self Certification as per clause 9(a) of Revised Public Procurement (Preference to Make in India Order, 2017 of DPIIT dated 16.09.2020

Sir,

This is to certify that M/s.....is a 'Class I Local Supplier'/ 'Class II Local Supplier (Tick appropriate option & cut the other one) 'at the time of tender, bidding or solicitation hereby confirm that the item offered meets the Local Content requirement for Class I Local Supplier' /'Class II Local Supplier' (Tick appropriate option & cut the other one) and the Local Content percentage is.....

I also certify that the bidder M/s..... has not been debarred by any procuring entity from violation of this order.

The address is as below, where the local content/value addition is made:  
[Factory Address]

.....  
.....  
.....

For M/s.....  
Authorized Signatory  
(with company seal & Name)

**Model Clause Certificate: Public Procurement**

Certificate regarding Procurement from a Bidder of a country which shares a land border with India

**(On Company's Letter Head)**

Tender Ref. No.: .....

To  
M/s National Fertilizers Limited,  
Vijaipur-Guna (M.P)-473111

Sub: Model Clause Certificate of Restrictions under rule 144 (xi) of the General financial Rules (GFRs) 2017, dated: 23.07.2020.

Sir,

I.....(authorized signatory) for M/s..... have read the clause regarding restrictions on procurement from a bidder of a country which shares a land border with India.

We certify that this bidder M/s..... [Vendor Name & address] is not from such a country.

or,

However, if any bidder falls in the category of bidders as indicated in the Definitions clause at S.no. 6, 7, 8, 9 and 10 of Order (F.No.6/18/2019-PPD, Public Procurement No. 1) dt.23.07.2020, should submit the certificate as under:

We hereby certify that M/s..... [Vendor Name & address] is from such a country and has been registered with Competent Authority (specified in Annexure- I of Order (F.No.6/18/2019-PPD, Public Procurement no. 1) dt.23.07.2020) and further certify that our firm fulfils all requirements in this regard and is eligible to be considered. The evidence of valid registration by the Competent Authority is attached herewith.

For M/s.....  
Authorized Signatory

(with company seal & Name)